

STANDARD DESIGN LOADS:

LID:

IMPOSED LOAD: 10 kN/m² UDL OR 5,850 kg WHEEL LOAD
DEAD LOAD: UP TO 1m OVERBURDEN

HEAVY DUTY OR CUSTOM LIDS CAN BE MANUFACTURED FOR MORE ONEROUS APPLICATIONS.

TANK:

IMPOSED SURCHARGE: 10 kN/m² UDL (HA LOADING EQUIVALENT TO BS 5400-2)

NOTE: VERY LARGE POINT LOADS SUCH AS THOSE FROM CRANE OUTRIGGERS SHOULD BE AVOIDED IN THE IMMEDIATE VICINITY OF THE TANK

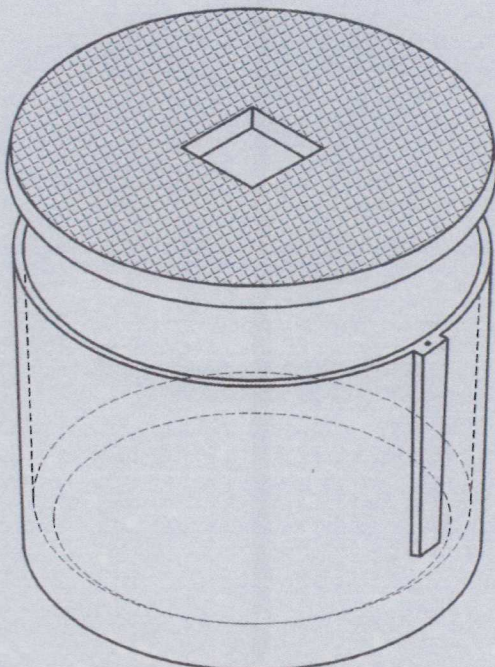
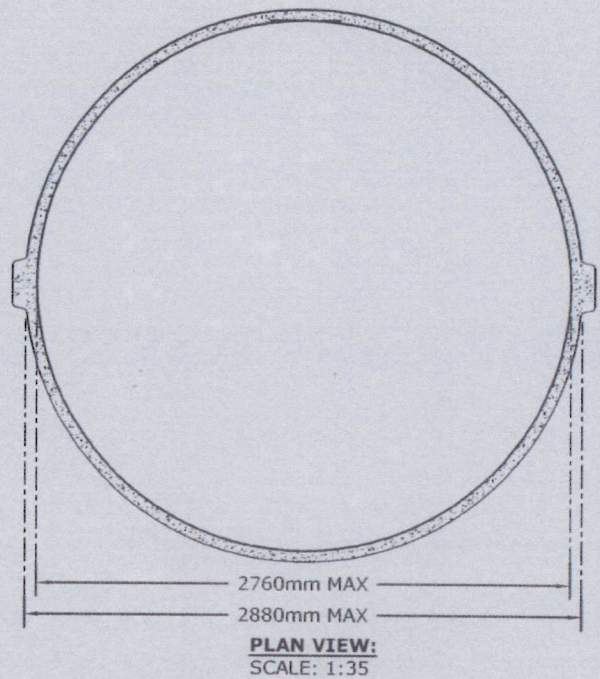
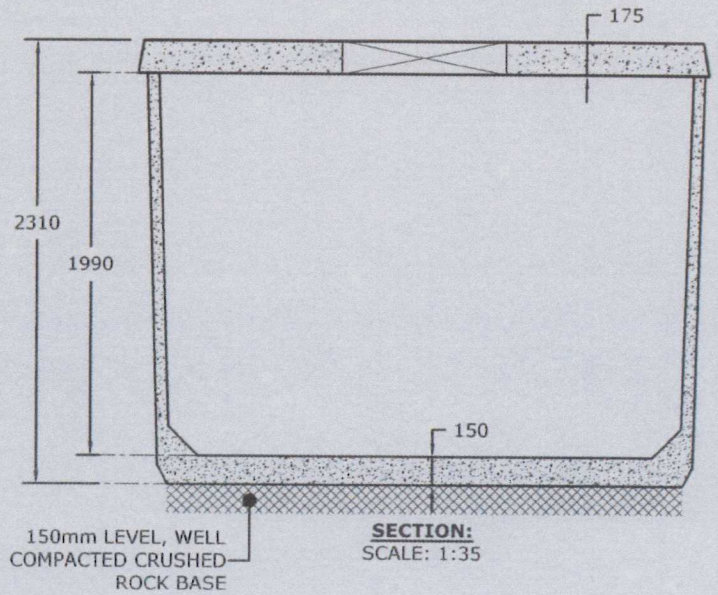
STANDARD ACCESS OPENING SIZES:

- 1400mm x 850mm
- 900mm x 600mm
- 600mm x 600mm

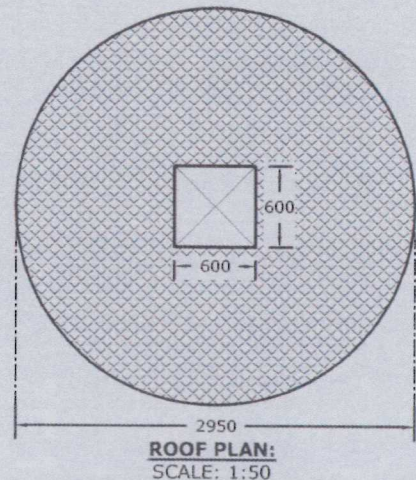
NON STANDARD SIZES ARE AVAILABLE ON REQUEST

STANDARD UNIT WEIGHTS:

- TANK: 5.5 tonnes
- COVER SLAB: 2.9 tonnes



ISOMETRIC VIEW:
SCALE: 1:50



ROOF PLAN:
SCALE: 1:50