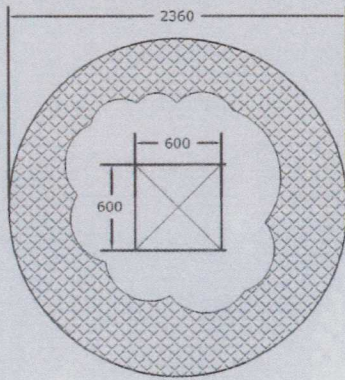
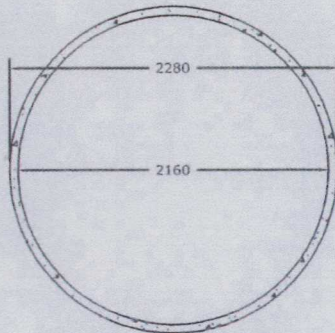


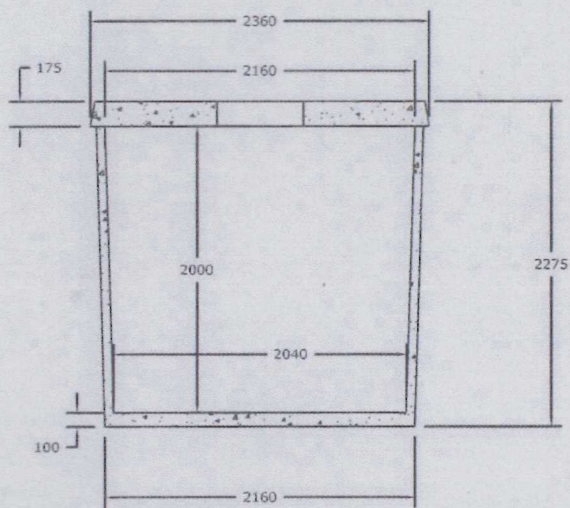
6.90 CUBIC METRE / 1500 GALLON TANK



ROOF PLAN



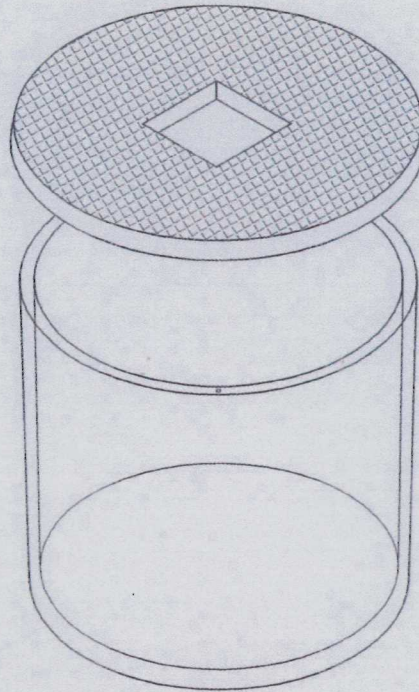
FLOOR PLAN



SECTION

0m 1m 2m

Standard tank weight 4.00
tonnes without lid, 5.40
tonnes including lid.



3D VIEW