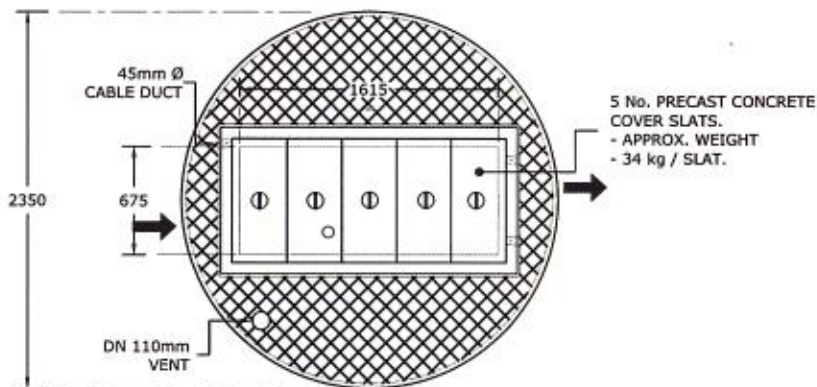
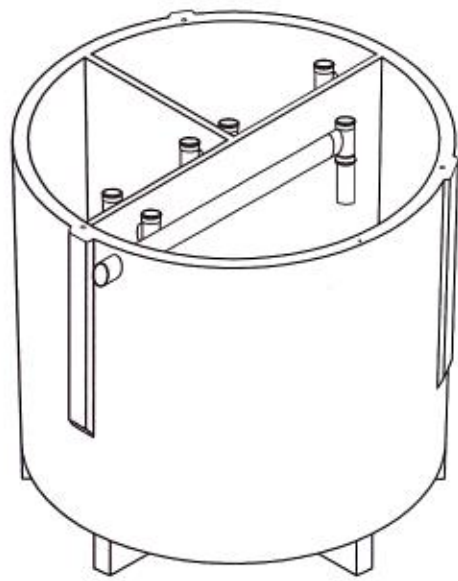


# 6 PE system - 1500 gallon tank

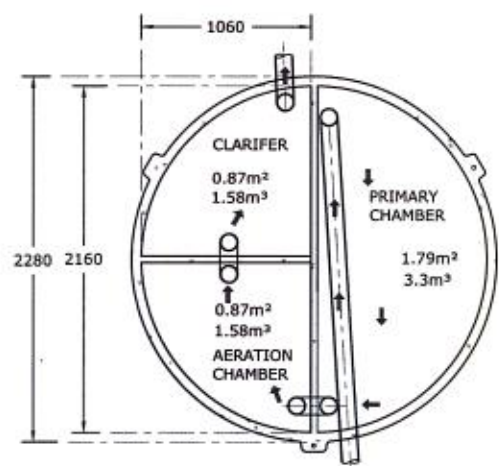


Standard tank weight  
 4.30 tonnes without lid,  
 6.30 tonnes including lid.

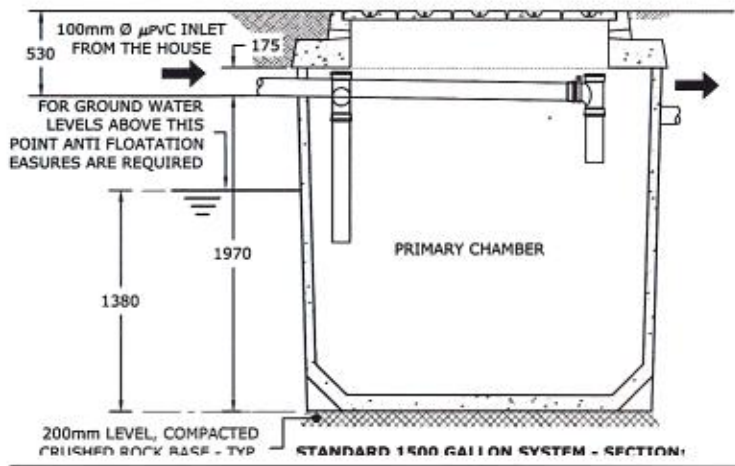
**PLAN VIEW - PRECAST CONCRETE LID:**  
 SCALE 1:35



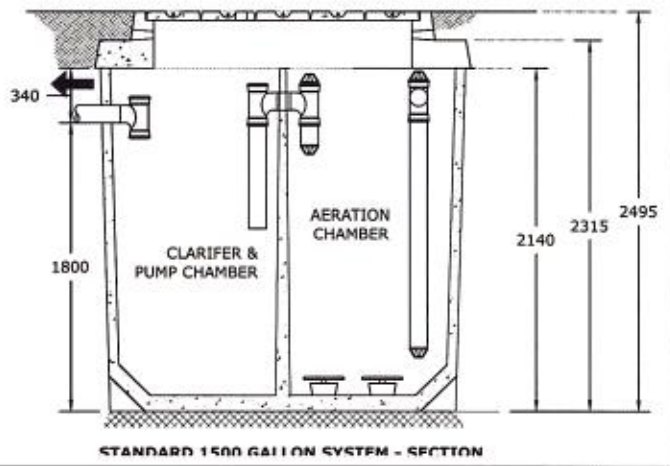
**ISOMETRIC VIEW:**



**PLAN VIEW - PRECAST CONCRETE TANK:**  
 SCALE 1:35



**STANDARD 1500 GALLON SYSTEM - SECTION:**



**STANDARD 1500 GALLON SYSTEM - SECTION**